

PSF

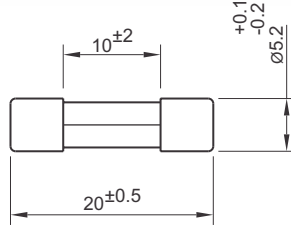
5 x 20mm Miniature Glass Fuse Links – Fast Acting

| | |
|-----------------------|--------------------------------------|
| Applicable Standards | IEC 60127-2 Std. Sheet 2 |
| Rated Voltage | 250V |
| Breaking Capacity(AC) | 35A or 10 In whichever is greater |

Time Current Characteristic

| Rated Current (In) | Overload | Min | Max |
|--------------------|----------|------|--------|
| All | 2.1 In | – | 30 min |
| 100mA | 2.75 In | 10ms | 500ms |
| >100mA | | 50ms | 2s |
| 100mA | 4.00 In | 3ms | 100ms |
| >100mA | | 10ms | 300ms |
| All | 10.00 In | – | 20ms |

Characteristic Curves available on request



Current Ratings

| | | | |
|-------|-------|-------|-------|
| 100mA | 125mA | 160mA | 200mA |
| 250mA | 315mA | 400mA | 500mA |
| 630mA | 800mA | 1A | 1.25A |
| 1.6A | 2A | 2.5A | 3.15A |
| 4A | 5A | 6.3A | 8A* |
| 10A* | | | |

* Not covered in IEC.

Approvals : LCSO, CACT, CDOT,

Ordering Part No.

PSF...mA (In ≤ 800mA) or
PSF...A (In ≥ 1A)

PSFC

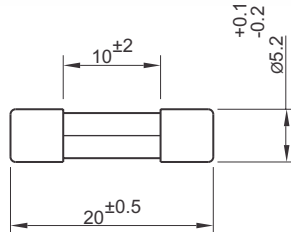
5 x 20mm Miniature Ceramic Fuse Links – Fast Acting

| | |
|----------------------|----------------------------|
| Applicable Standards | IEC 60127-2 Std. Sheet 1 |
| Rated Voltage | 250V |
| Breaking Capacity | 1500 A when tested with AC |

Time Current Characteristic

| Rated Current (In) | Overload | Min | Max |
|--------------------|----------|------|--------|
| 100mA – 6.3A | 2.1 In | – | 30 min |
| 100mA – 3.15A | 2.75 In | 10ms | 2s |
| 4A – 6.3A | – | 10ms | 3s |
| 100mA – 6.3A | 4.0 In | 3ms | 300ms |
| 100mA – 6.3A | 10.0 In | – | 20ms |

Characteristic Curves available on request



Current Ratings

| | | | |
|-------|-------|-------|-------|
| 100mA | 125mA | 160mA | 200mA |
| 250mA | 315mA | 400mA | 500mA |
| 630mA | 800mA | 1A | 1.25A |
| 1.6A | 2A | 2.5A | 3.15A |
| 4A | 5A | 6.3A | |

Approvals :

Ordering Part No.

PSFC...mA (In ≤ 800mA) or
PSFC...A (In ≥ 1A)

PST

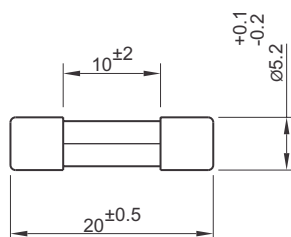
5 x 20mm Miniature Glass Fuse Links – Slow Blow

| | |
|-----------------------|--------------------------------------|
| Applicable Standards | IEC 60127-2 Std. Sheet 3 |
| Rated Voltage | 250V |
| Breaking Capacity(AC) | 35A or 10 In whichever is greater |

Time Current Characteristic

| Rated Current (In) | Overload | Min | Max |
|--------------------|----------|-------|-------|
| 100mA | 2.1 In | – | 2 min |
| >100mA | | | 2 min |
| 100mA | 2.75 In | 200ms | 10s |
| >100mA | | 600ms | 10s |
| 100mA | 4.0 In | 40ms | 3s |
| >100mA | | 150ms | 3s |
| 100mA | 10.0 In | 10ms | 300ms |
| >100mA | | 20ms | 300ms |

Characteristic Curves available on request



Current Ratings

| | | | |
|-------|-------|-------|-------|
| 100mA | 125mA | 160mA | 200mA |
| 250mA | 315mA | 400mA | 500mA |
| 630mA | 800mA | 1A | 1.25A |
| 1.6A | 2A | 2.5A | 3.15A |
| 4A | 5A | 6.3A | 8A* |
| 10A* | | | |

* Not covered in IEC.

Approvals : LCSO, CACT, CDOT,

Ordering Part No.

PST...mA (In ≤ 800mA) or
PST...A (In ≥ 1A)

PSTC

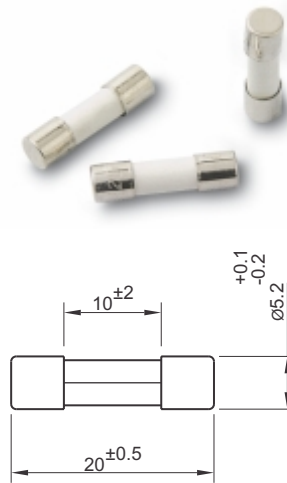
5 x 20mm Miniature Ceramic Fuse Links – Slow Blow

| | |
|----------------------|---------------------------|
| Applicable Standards | IEC 60127-2 Std. Sheet 5 |
| Rated Voltage | 250V |
| Breaking Capacity | 1500A when tested with AC |

Time Current Characteristic

| Rated Current (In) | Overload | Min | Max |
|--------------------|----------|-------|-------|
| 1A – 6.3A | 2.1 In | – | 30min |
| 1A – 6.3A | 2.75 In | 1s | 80s |
| 1A – 3.15A | 4.0 In | 95ms | 5s |
| 4A – 6.3A | | 150ms | 5s |
| 1A – 3.15A | 10.0 In | 10ms | 100ms |
| 4A – 6.3A | | 20ms | 100ms |

Characteristic Curves available on request



Current Ratings

| | | | |
|------|-------|------|----|
| 1A | 1.25A | 1.6A | 2A |
| 2.5A | 3.15A | 4A | 5A |
| 6.3A | | | |

Approvals : 

Ordering Part No.

PSTC...A

PAF

6.35 x 32mm Miniature Glass Fuse Links – Fast Acting

| | |
|------------------------|-----------------------------------|
| Applicable Standards | IEC 60127-2 Std. Sheet 4 |
| Rated Voltage | 250V |
| Breaking Capacity (AC) | 35A or 10 In whichever is greater |

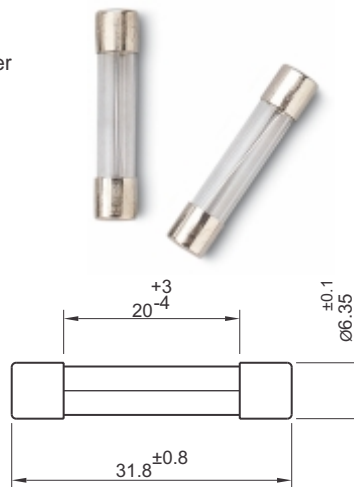
Time Current Characteristic

| Rated Current (In) | Overload | Min | Max |
|--------------------|----------|------|--------|
| All | 2.0 In | – | 20s |
| 100mA | 2.75 In | 2ms | 200ms |
| >100mA | | 20ms | 1500ms |
| 100mA | 4.0 In | 1ms | 30ms |
| >100mA | | 8ms | 400ms |
| 100mA | 10.0 In | – | 5ms |
| >100mA | | | 80ms |

Characteristic Curves available on request

*150V rated voltage according to standard.

** 60V rated voltage according to standard.



Current Ratings

| | | | |
|-------|-------|--------|--------|
| 100mA | 125mA | 160mA | 200mA |
| 250mA | 315mA | 400mA | 500mA |
| 630mA | 800mA | 1A | 1.25A |
| 1.6A | 2A | 2.5A* | 3.15A* |
| 4A* | 5A** | 6.3A** | 8A** |
| 10A** | | | |

Ordering Part No.

PAF...mA (In ≤ 800mA) or

PAF...A (In ≥ 1A)

PAFC

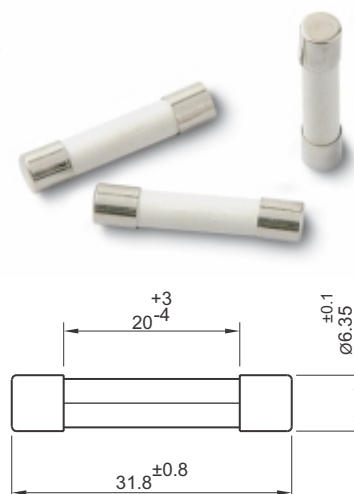
6.35 x 32mm Miniature Ceramic Fuse Links – Fast Acting

| | |
|-------------------|---------------------------|
| Rated Voltage | 250V |
| Breaking Capacity | 1500A when tested with AC |

Time Current Characteristic

| Rated Current (In) | Overload | Min | Max |
|--------------------|----------|-------|--------|
| 100mA – 10A | 2.1 In | – | 60 min |
| 100mA – 4A | 2.75 In | 70ms | 5s |
| 5A – 10A | – | 150ms | 2s |
| 100mA – 4A | 4.0 In | 10ms | 150ms |
| 5A – 10A | | 25ms | 200ms |
| 100mA – 4A | 10.0 In | – | 10ms |
| 5A – 10A | | | 20ms |

Characteristic Curves available on request



Current Ratings

| | | | |
|-------|-------|-------|-------|
| 100mA | 125mA | 160mA | 200mA |
| 250mA | 315mA | 400mA | 500mA |
| 630mA | 800mA | 1A | 1.25A |
| 1.6A | 2A | 2.5A | 3.15A |
| 4A | 5A | 6.3A | 8A |
| 10A | | | |

Ordering Part No.

PAFC...mA (In ≤ 800mA) or

PAFC...A (In ≥ 1A)

PAT

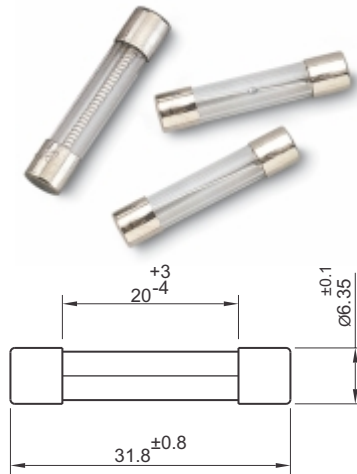
6.35 x 32mm Miniature Glass Fuse Links – Slow Blow

| | |
|-------------------|---|
| Rated Voltage | 250V |
| Breaking Capacity | 35A AC or 10 In whichever is greater |

Time Current Characteristic

| Rated Current (In) | Overload | Min | Max |
|--------------------|----------|-------|-------|
| 200mA – 10A | 2.1 In | – | 120s |
| 200mA – 10A | 2.75 In | 200ms | 10s |
| 200mA – 10A | 4.0 In | 100ms | 3s |
| 200mA – 10A | 10.0 In | 20ms | 300ms |

Characteristic Curves available on request



Current Ratings

| | | | |
|-------|-------|-------|-------|
| 200mA | 250mA | 315mA | 400mA |
| 510mA | 630mA | 800mA | 1A |
| 1.25A | 1.6A | 2A | 2.5A |
| 3.15A | 4A | 5A | 6.3A |
| 8A | 10A | | |

Ordering Part No.

PAT...mA (In ≤ 800mA) or
PAT...A (In ≥ 1A)

PATC

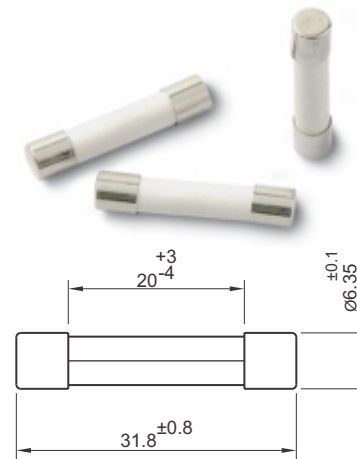
6.35 x 32 mm Miniature Ceramic Fuse Links – Slow Blow

| | |
|-------------------|----------------------------|
| Rated Voltage | 250V |
| Breaking Capacity | 1500 A when tested with AC |

Time Current Characteristic

| Rated Current (In) | Overload | Min | Max |
|--------------------|----------|-------|-------|
| 100mA – 10A | 2.1 In | – | 120s |
| 100mA – 10A | 2.75 In | 200ms | 10s |
| 100mA – 10A | 4.0 In | 100ms | 3s |
| 100mA – 10A | 10.0 In | 20ms | 300ms |

Characteristic Curves available on request



Current Ratings

| | | | |
|-------|-------|-------|-------|
| 100mA | 125mA | 160mA | 200mA |
| 250mA | 315mA | 400mA | 500mA |
| 630mA | 800mA | 1A | 1.25A |
| 1.6A | 2A | 2.5A | 3.15A |
| 4A | 5A | 6.3A | 8A |
| 10A | | | |

Ordering Part No.

PATC...mA (In ≤ 800mA) or
PATC...A (In ≥ 1A)

PXF... VU

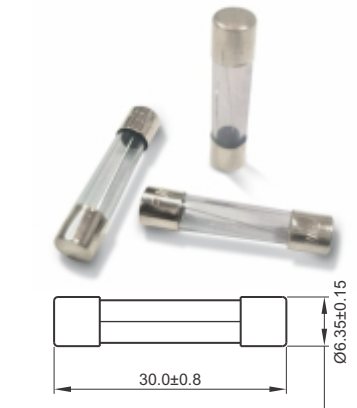
6.35x30mm, Glass Fuse links-Fast acting

| | |
|-------------------|---|
| Rated Voltage | 32V |
| Breaking Capacity | 35A AC or 10 In Whichever is greater |

Time Current Characteristic

| Rated Current (In) | Overload | Min | Max |
|--------------------|----------|-----|------|
| 7A - 20A | 1.1 In | – | 2Hrs |
| 7A - 20A | 1.35 In | – | 180s |
| 7A - 20A | 1.5 In | – | 15s |

Characteristic Curves available on request



Current Ratings

7A, 7.5A, 10A, 15A, 20A

Ordering Part No.

PXF...A VU (In ≥ 7A)
FOR ROHS PXF ...A VU-R

PXF... VK

6.3x25mm, Glass Fuse links-Fast acting

| | |
|-------------------|---|
| Rated Voltage | 32V |
| Breaking Capacity | 35A AC or 10 In Whichever is greater |

Current Ratings

4A , 5A, 6A , 7A , 10A , 15A , 20A



Ordering Part No.

PXF...VK A (In \geq 4A)
FOR ROHS PXF A VK-R

Time Current Characteristic

| Rated Current (In) | Overload | Min | Max |
|--------------------|----------|-----|------|
| 4A - 20A | 1.1 In | – | 2Hrs |
| 4A - 20A | 1.35 In | – | 180s |
| 4A - 20A | 1.5 In | – | 15s |

Characteristic Curves available on request

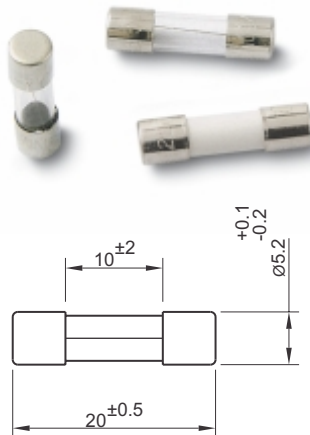
PPF / PPFC

5 x 20 mm Miniature Glass/Ceramic Fuse Links – Fast Acting [UL Standards]

| | |
|--------------------------|---|
| Applicable Standards | UL248–1 & 14 (198G) |
| Rated Voltage | 250V |
| Interrupting Rating (AC) | \leq 1A 35A 1.125A–3.5A 100A 4A–6.25A 200A |

Current Ratings

| | | | |
|-------|--------|-------|-------|
| 100mA | 150mA | 200mA | 300mA |
| 400mA | 500mA | 600mA | 800mA |
| 1A | 1.125A | 1.25A | 1.4A |
| 1.6A | 1.8A | 2A | 2.25A |
| 2.5A | 2.8A | 3A | 3.2A |
| 3.5A | 4A | 4.5A | 5A |
| 5.6A | 6A | 6.25A | |



Ordering Part No.

PPF...mA (In \leq 800mA) or
PPF...A (In \geq 1A) for Glass Fuses

PPFC...mA (In \leq 800mA) or
PPFC...A (In \geq 1A) for Ceramic Fuses

Time Current Characteristic

| Rated Current (In) | Overload | Min | Max |
|--------------------|----------|------|--------|
| 100mA – 6.25A | 1.1 In | 4hrs | – |
| 100mA – 6.25A | 1.35 In | – | 60 min |
| 100mA – 6.25A | 2.0 In | – | 5s |

Characteristic Curves available on request

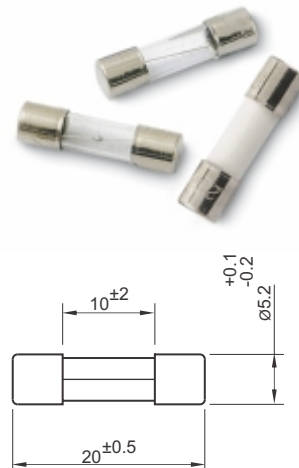
PPT / PPTC

5 x 20 mm Miniature Glass/Ceramic Fuse Links – Slow Blow [UL Standards]

| | |
|--------------------------|---|
| Applicable Standards | UL248–1 & 14 (198G) |
| Rated Voltage | 250V |
| Interrupting Rating (AC) | \leq 1A 35A 1.125A–3.5A 100A 4A–6.25A 200A |

Current Ratings

| | | | |
|-------|--------|-------|-------|
| 100mA | 150mA | 200mA | 300mA |
| 400mA | 500mA | 600mA | 800mA |
| 1A | 1.125A | 1.25A | 1.4A |
| 1.6A | 1.8A | 2A | 2.25A |
| 2.5A | 2.8A | 3A | 3.2A |
| 3.5A | 4A | 4.5A | 5A |
| 5.6A | 6A | 6.25A | |



Ordering Part No.

PPT...mA (In \leq 800mA) or
PPT...A (In \geq 1A) for Glass Fuses

PPTC...mA (In \leq 800mA) or
PPTC...A (In \geq 1A) for Ceramic Fuses

Time Current Characteristic

| Rated Current (In) | Overload | Min | Max |
|--------------------|----------|------|--------|
| 100mA – 6.25A | 1.1 In | 4hrs | – |
| 100mA – 6.25A | 1.35 In | – | 60 min |
| 100mA – 6.25A | 2.0 In | 5s | 2min |

Characteristic Curves available on request

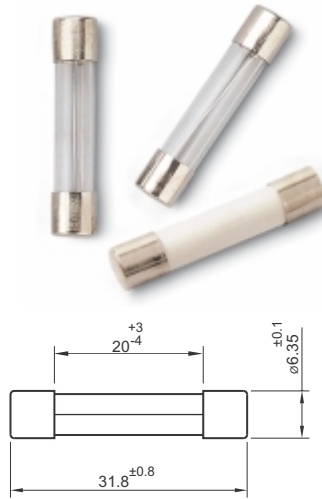
PQF / PQFC 6.35 x 32 mm Miniature Glass/Ceramic Fuse Links – Fast Acting [UL Standards]

| | | |
|--------------------------|---------------------|------|
| Applicable Standards | UL248-1 & 14 (198G) | |
| Rated Voltage | 250V | |
| Interrupting Rating (AC) | ≤ 1A | 35A |
| | 1.125A–3.5A | 100A |
| | 4A–10A | 200A |

Time Current Characteristic

| Rated Current (In) | Overload | Min | Max |
|--------------------|----------|------|--------|
| 100mA – 10A | 1.1 In | 4hrs | – |
| 100mA – 10A | 1.35 In | – | 60 min |
| 100mA – 10A | 2.0 In | – | 5s |

Characteristic Curves available on request



Current Ratings

| | | | |
|-------|--------|-------|-------|
| 100mA | 150mA | 200mA | 300mA |
| 400mA | 500mA | 600mA | 800mA |
| 1A | 1.125A | 1.25A | 1.4A |
| 1.6A | 1.8A | 2A | 2.25A |
| 2.5A | 2.8A | 3A | 3.2A |
| 3.5A | 4A | 4.5A | 5A |
| 5.6A | 6A | 6.25A | 7A |
| 8A | 9A | 10A | |

Ordering Part No.

PQF...mA (In ≤ 800mA) or
 PQF...A (In ≥ 1A) For Glass Fuses
 PQFC...mA (In ≤ 800mA) or
 PQFC...A (In ≥ 1A) For Ceramic Fuses

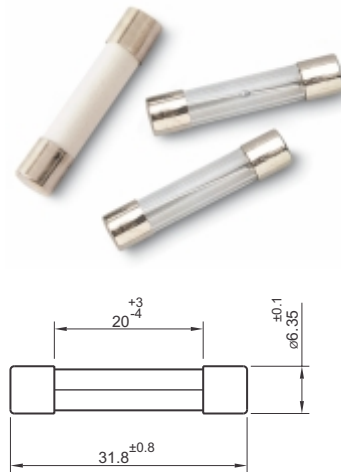
PQT / PQTC 6.35 x 32 mm Miniature Glass/Ceramic Fuse Links – Slow Blow [UL Standards]

| | | |
|--------------------------|---------------------|------|
| Applicable Standards | UL248-1 & 14 (198G) | |
| Rated Voltage | 250V | |
| Interrupting Rating (AC) | ≤ 1A | 35A |
| | 1.125A–3.5A | 100A |
| | 4A–10A | 200A |

Time Current Characteristic

| Rated Current (In) | Overload | Min | Max |
|--------------------|----------|------|--------|
| 100mA – 10A | 1.1 In | 4hrs | – |
| 100mA – 10A | 1.35 In | – | 60 min |
| 100mA – 3A | 2.0 In | 5s | 2 min |
| 3.2A – 10A | | 12s | 2min |

Characteristic Curves available on request



Current Ratings

| | | | |
|-------|--------|-------|-------|
| 100mA | 150mA | 200mA | 300mA |
| 400mA | 500mA | 600mA | 800mA |
| 1A | 1.125A | 1.25A | 1.4A |
| 1.6A | 1.8A | 2A | 2.25A |
| 2.5A | 2.8A | 3A | 3.2A |
| 3.5A | 4A | 4.5A | 5A |
| 5.6A | 6A | 6.25A | 7A |
| 8A | 9A | 10A | |

Ordering Part No.

PQT...mA (In ≤ 800mA) or
 PQT...A (In ≥ 1A) For Glass Fuses
 PQTC...mA (In ≤ 800mA) or
 PQTC...A (In ≥ 1A) For Ceramic Fuses

Cartridge Fuse Links With Plug Leads

| | |
|---------------|---------------------|
| Lead diameter | 0.6 or 0.8 mm |
| Lead length | 25 mm minimum |
| Cap | Brass nickel plated |
| Lead wire | Copper tinned |

Cartridge Fuse -links of the following series are available with plugged leads.

PSF, PST, PAF, PAT, PSFC, PSTC, PAFC, PATC, PPF, PPFC, PPT, PPTC, PQF, PQFC, PQT & PQTC



Ordering Part No.

| Fuse Series | With 0.6ø Plug Lead | With 0.8ø Plug Lead |
|-------------|------------------------|------------------------|
| PSF/PSFC | PSF...A6P/PSFC ... A6P | PSF...A8P/PSFC ... A8P |
| PST/PSTC | PST...A6P/PSTC ... A6P | PST...A8P/PSTC ... A8P |
| PAT/PATC | PAT...A6P/PATC ... A6P | PAT...A8P/PATC ... A8P |
| PAF/PAFC | PAF...A6P/PAFC ... A6P | PAF...A8P/PAFC ... A8P |
| PQT/PQTC | PQT...A6P/PQTC...A6P | PQT...A8P/PQTC...A8P |

Fuses can also be supplied with soldered leads. Please contact factory for details

Applicable specification as per data sheet

